

DTV47EI

Screw plug immersion heater for water

Econo

Also available in 2,5, 5, 10 & 12 W/cm²

PRODUCT FAMILY

Immersion heaters
With screw plug for water

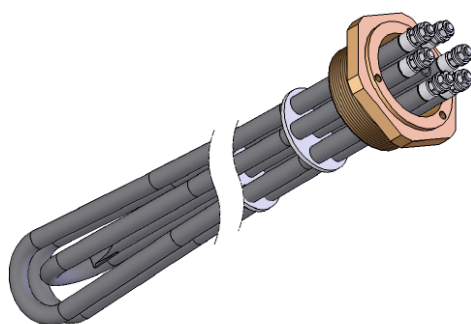
RECOMMENDED

REGULATION

- Single phase thermostat
CAD040, CAD090, CAD110
- 3-phase thermostat
CAT040, CAT090, CAT110: tot max. 6 kW
- Limiter
LMD090, LMD110
- Thermostat with limiter
CATS90/110

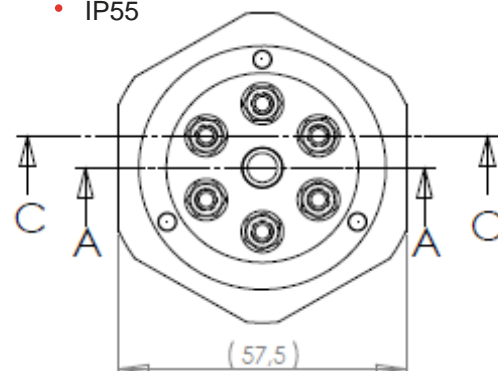
APPLICATIONS

- Heating of liquids
- Boilers
- Heating of containers



With the DTV47EI we developed a standard set of immersion heaters for the heating of water. On demand, adjustments can be made if the purchase quantity justifies this. Production takes place in our own facilities. So we can tailor make the desired solution.

- Wide range of outputs and lengths available
- 1 – 10 kW
- 10 W/cm²
- Brass screw plug 1 ½ “
- Pocket for thermostat
- Stainless steel 316L heating elements
- Brazing
- Pickling & passivation
- IP55



reference	Output [W]	Length element [mm]
DTV47EI010	1000	105
DTV47EI020	2000	170
DTV47EI030	3000	235
DTV47EI045	4500	335
DTV47EI060	6000	435
DTV47EI075	7500	535
DTV47EI090	9000	635
DTV47EI100	10.000	700

Accessories

- **Large connection box** for use with thermostat
- 3 pre-drilled holes: 1 PG 16 gland for power cable
1 PG 11 gland for control cable
1 PG 11 plug for regulation thermostat
- Terminal box can always be correctly positioned (with gland connection downwards for optimal protection against moisture intrusion)



- **Small connection box** for use without thermostat at smaller installation space
- 1 pre-drilled hole: M20 gland for power cable
- Terminal box can always be correctly positioned (with gland connection downwards for optimal protection against moisture intrusion)



- Standard engraving with: Power, Voltage, Protection and CE logo
- Personalized engraving possible
- Your company logo can also be engraved

Technical information

- Brass screw plug
- Type of heating element: SS 316L
- Pocket for thermostat
- Pickling & passivation
- Supply: 230V/1ph, 230V/3ph, 400V/3ph
(Other power supplies on demand)
- M4 connections
- 10 W/cm²
- 2 types of connection boxes
- Large variety of thermostats
- Low pricing
- Simple installation
- Long lifespan

TECHNICAL SUPPORT

This is a standard series but on request, other models can also be taken in production

ECOLOGY

Throughout the design and production, the emphasis is always on anti-pollution and energy saving measures.

OTHER PRODUCTS

Component Heaters

Immersion Heaters

Circulation Heaters

Process Heating

Infrared

Convection & Air Duct Heaters

Heating cables

Control & safety