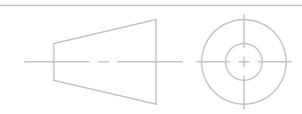
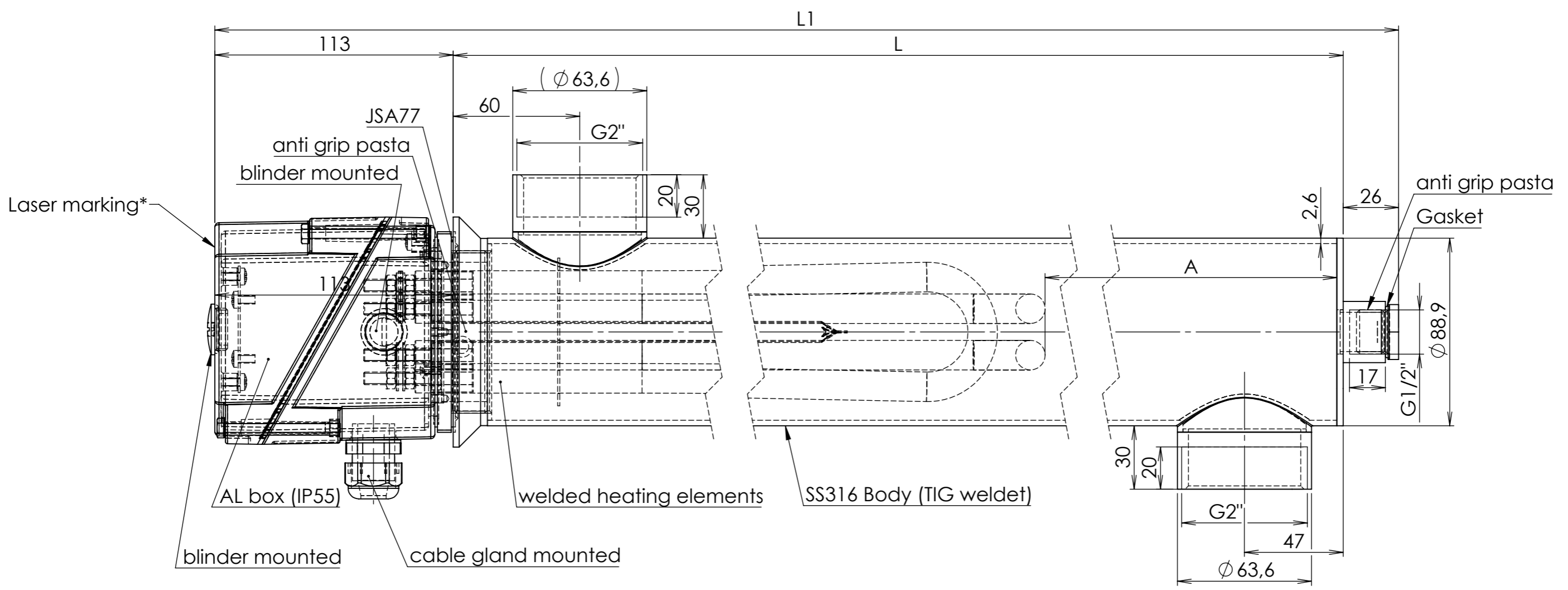


LB-DRVI-WARNING

Reference	P (W)
DRVI77I030	3000
DRVI77I060	6000
DRVI77I090	9000
DRVI77I120	12000
DRVI77I150	15000
DRVI77I180	18000
DRVI77I240	24000
DRVI77I320	32000

				Unit = mm				Tolerance: $\pm 5\%$				Size: A3		Page: 1	
				Customer name:				Date of first drawing: 20.4.2018				Scale: 1:2		Protected by ISO 16016	
- 15.7.13				original design				Art. ref. + rev.: DRVI77Ixxx				Art. ref.: DRVI77Ixxx		Part code:	
REV. DATE				Revision description				Art. description: Recirculation heater - 12,5W/cm²				Part code:		Rev	
INI. SIGN.		INI. SIGN.		INI. SIGN.		INI. SIGN.									
Draw.		Check		Appr.											





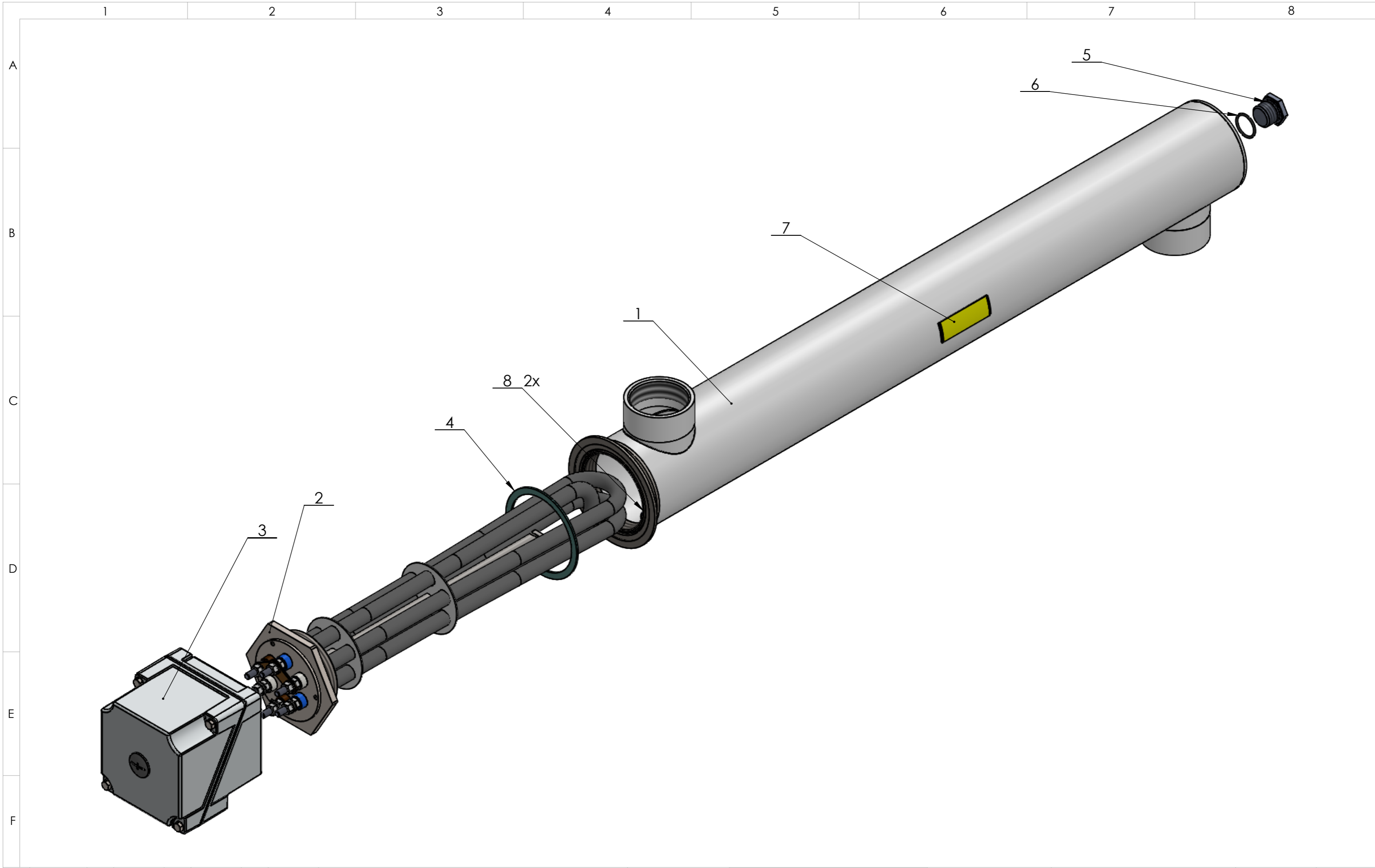
U=3x230/400V

Reference	P (W)	POS 1	L1 (mm)	L (mm)	A (mm)	POS 2
DRVI77I030	3000	DRVI77-780	883,1	760	601,6	DTV77I030
DRVI77I060	6000	DRVI77-780	883,1	760	506,6	DTV77I060
DRVI77I090	9000	DRVI77-780	883,1	760	416,6	DTV77I090
DRVI77I120	12000	DRVI77-780	883,1	760	326,6	DTV77I120
DRVI77I150	15000	DRVI77-780	883,1	760	236,6	DTV77I150
DRVI77I180	18000	DRVI77-1270	1363,1	1250	636,6	DTV77I180
DRVI77I240	24000	DRVI77-1270	1363,1	1250	451,6	DTV77I240
DRVI77I320	32000	DRVI77-1270	1363,1	1250	211,6	DTV77I320

*Laser marking Standart DKBA105

Unit = mm	Tolerance: ± 5%			
Customer name:	Art. ref. + rev.: DRVI77Ixxx			
Art. description:	Recirculation heater - 12,5W/cm²			
Revision	Draw.	Check	Appr.	Revision description
- 15.7.13	DM	BDB		original design

Size: **A3** Page: **2**
 Date of first drawing: **20.4.2018**
 Scale: **1:2**
 Protected by ISO 16016
 Art. ref.: DRVI77Ixxx
 Part code: _____ Rev

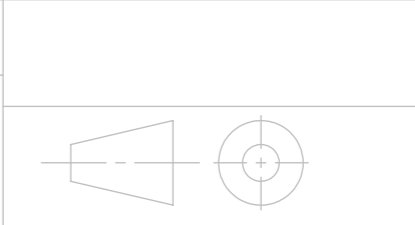


15.7.13	DM	BDB
REV.	INI.	SIGN.
Revision	Draw.	Check

original design
Revision description

Unit = mm Tolerance: $\pm 5\%$

Customer name:
 Art. ref. + rev.: **DRVI771xxx**
 Art. description: **Recirculation heater - 12,5W/cm²**

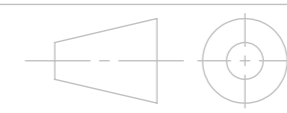


Size: A3	Page: 3
Date of first drawing: 20.4.2018	
Scale: 1:3	
Protected by ISO 16016	
Art. ref.: DRVI771xxx	Rev
Part code:	

	1	2	3	4	5	6	7	8
A								
B								

POS.	PART NUMBER	QTY.	REV.	DESCRIPTION
1	DRVI77-xxxx	1		Recirculation heater body for DTV77_material SS316L_2x G2"
2	DTV77lxxx	1		Screw heater_M77x2_12,5 W/cm ² _3x400V_x W_L=x
3	DKBA105-P1_02	1		Aluminium box_IP55_108x105mm_M20_PG11_PG16_D80
4	GASKET 90x77x2 FG	1		Gasket ring flat Klingersil C4430_D90xd77x2mm
5	COVER-HEX-G0,5-S1	1		Cover_Hexagon Head_G1/2"_material Stainless Steel_thread 12mm
6	GASKET G1-2	1		O-ring gasket NBR_d18xD2_M20
7	LB-DRVI-WARNING	3		Label for DTV47, DTV77, DRVI47, DRVI77_yellow_60x20mm_plastified, selfadhesive
8	SEAL-G-RAPID	2		Anti-Grip Pasta for SS threads

E								
F	* Assy bag (inside alubox)							

				Unit = mm				Tolerance:				Size: A3 Page: 4	
				Customer name:				Date of first drawing: 20.4.2018				Scale: 1:2	
				Art. ref. + rev.: DRVI77lxxx				Art. description: Recirculation heater - 12,5W/cm²				Protected by ISO 16016	
				Art. ref.: DRVI77lxxx				Part code:				Rev	
													
REV.	DATE	INI.	SIGN.	INI.	SIGN.	INI.	SIGN.	original design					
Revision		Draw.		Check		Appr.		Revision description					